

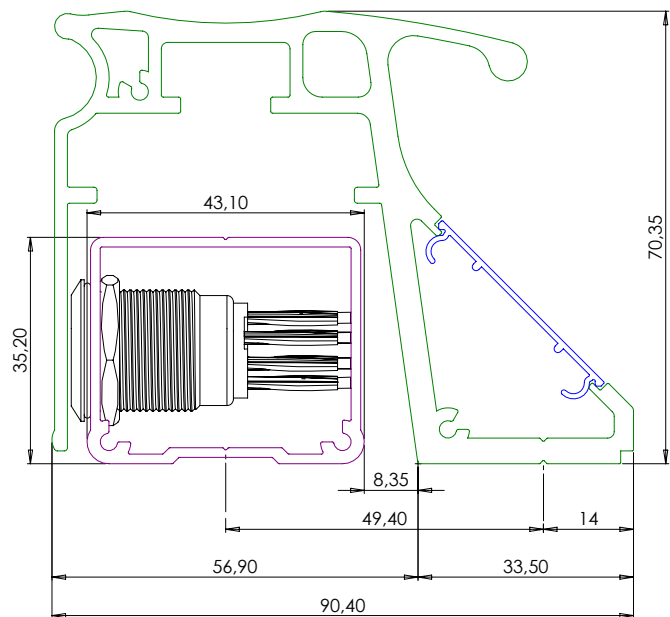
CPREG[®]2N – WITH PUSH BUTTON

400 mm – 1 EM lock

Voltage	12V DC	24V DC
Consumption	480 mA	260 mA

TECHNICAL SPECIFICATIONS			
Holding force* 300 daN	Temperature -10 / +60°C	IP rating IP42	Switching capacity 30V DC – 0.2 A

BUTTON TECHNICAL SPECIFICATIONS		
Status colours White / Green	PB voltage 12V DC	Wire length 45 cm



ITEM CODE

DESCRIPTION

CPREG2N/40AS-BP

CPREG2N 400 mm – 12-24V DC – natural anodizing