

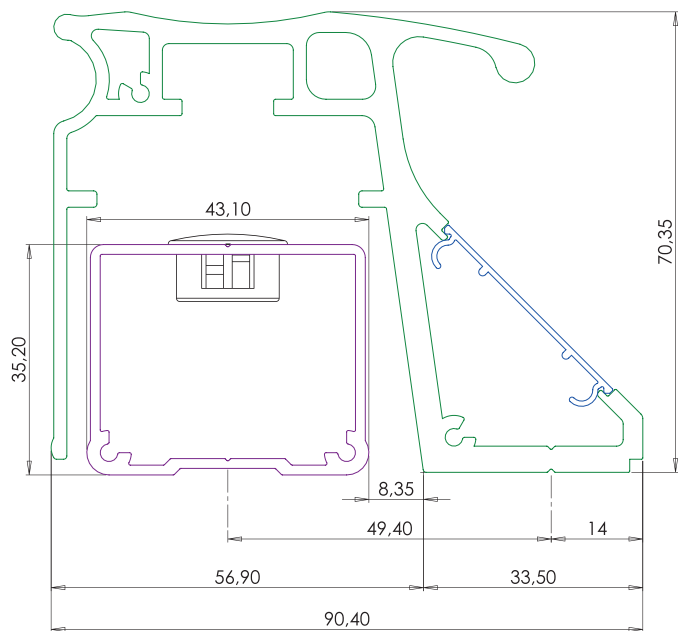
CPREG[®]2N – WITH PUSH BUTTON

600 mm – 2 EM locks

Voltage	12V DC	24V DC
Consumption	960 mA	520 mA

TECHNICAL SPECIFICATIONS			
Holding force* 2 x 300 daN	Temperature -10 / +60°C	IP rating IP42	Switching capacity 30V DC – 0.2 A

BUTTON TECHNICAL SPECIFICATIONS		
Status colours White / Green	PB voltage 12V DC	Wire length 40 cm



ITEM CODE	DESCRIPTION
CPREG2N/60AS-BP	CPREG2N 600 mm – 12-24V DC – BP – natural anodizing