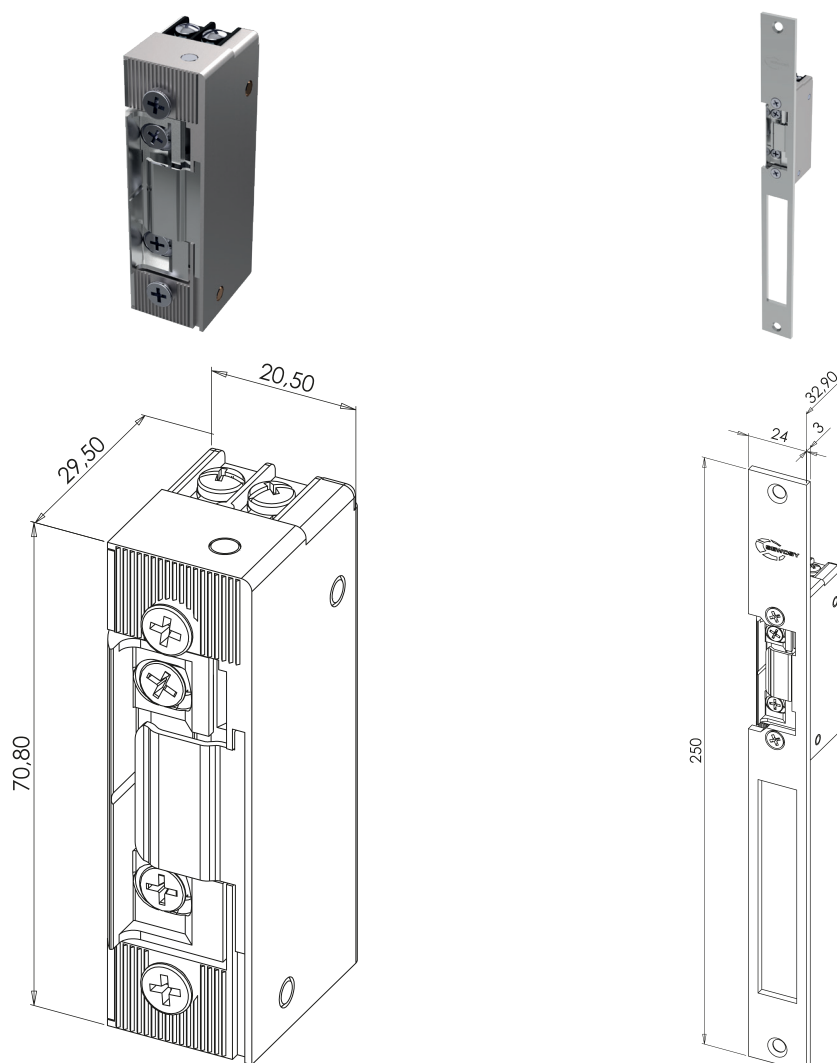


ROUREG®

Fail secure – memory

Voltage	12V AC	24V AC	12V DC	24V DC
Consumption	220 mA	430 mA	280 mA	560 mA

TECHNICAL SPECIFICATIONS			
Holding force* 350 daN	IP rating IP42	Temperature -25 / +50°C	Electronic protection Yes



ITEM CODE	DESCRIPTION
SER2M	ROUREG Memory strike – 12–24V AC/DC
SER2M-203	ROUREG Memory strike – 12–24V AC/DC + faceplate