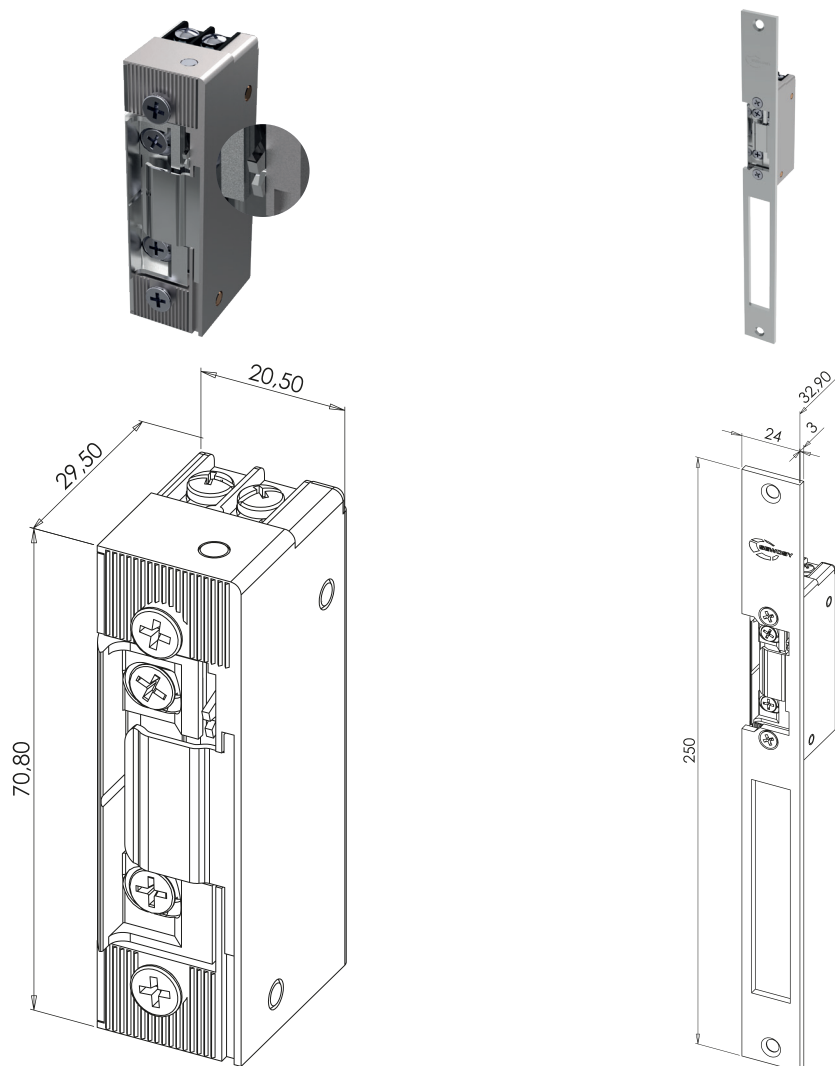


## Fail secure – memory – OPEM lever

Voltage	12V AC	24V AC	12V DC	24V DC
Consumption	220 mA	430 mA	280 mA	560 mA

TECHNICAL SPECIFICATIONS			
<b>Holding force*</b> 350 daN	<b>IP rating</b> IP42	<b>Temperature</b> -25 / +50°C	<b>Electronic protection</b> Yes



ITEM CODE	DESCRIPTION
SER2MO	ROUREG Memory strike – 12–24V AC/DC – OPEM lever
SER2MO-203	ROUREG Memory strike – 12–24V AC/DC – OPEM lever + faceplate

\*Maximum theoretical holding force for implementation respecting optimal installation conditions.