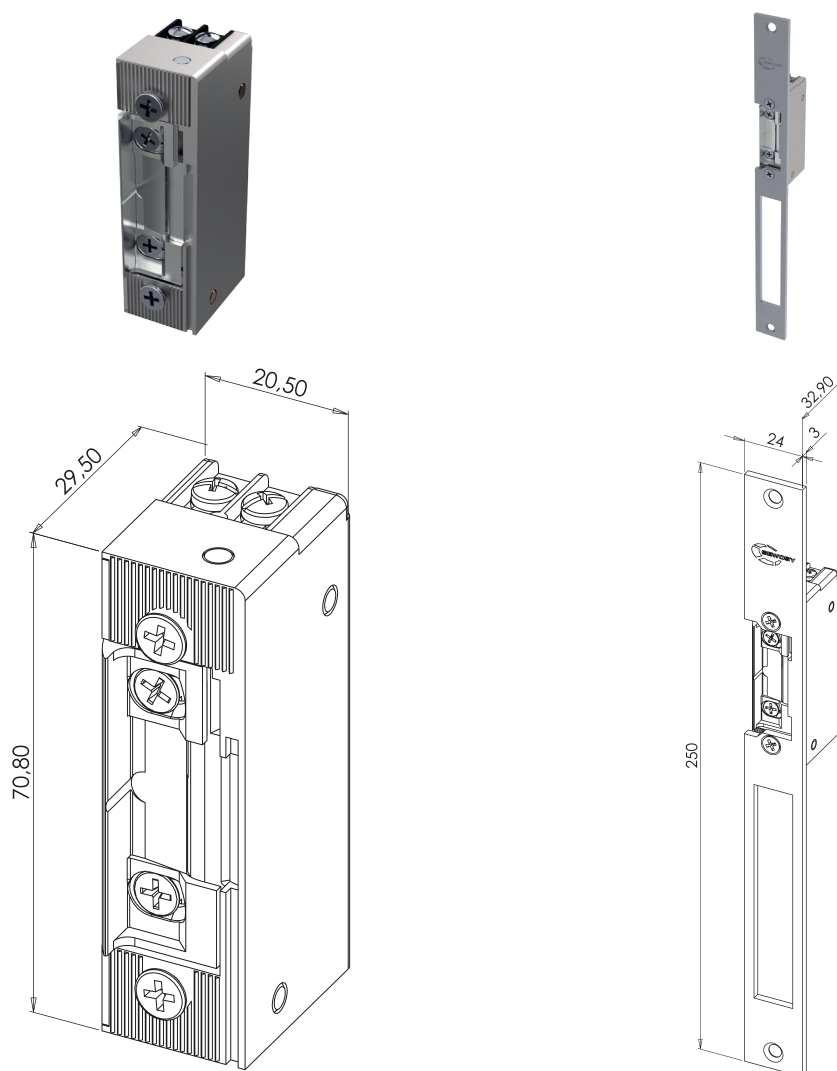


ROUREG®

Fail safe

Voltage	12V DC	24V DC
Consumption	210 mA	100 mA

TECHNICAL SPECIFICATIONS			
Holding force* 350 daN	IP rating IP42	Temperature -25 / +50°C	Electronic protection Yes



ITEM CODE	DESCRIPTION
SER3	ROUREG strike - fail safe - 12V DC
SER3/24	ROUREG strike - fail safe - 24V DC
SER3-203	ROUREG strike - fail safe - 12V DC + faceplate
SER3/24-203	ROUREG strike - fail safe - 24V DC + faceplate