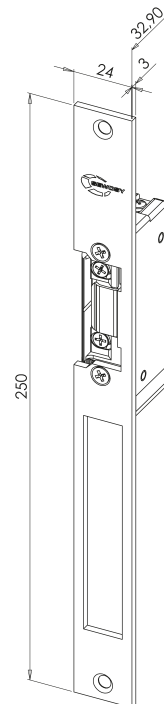
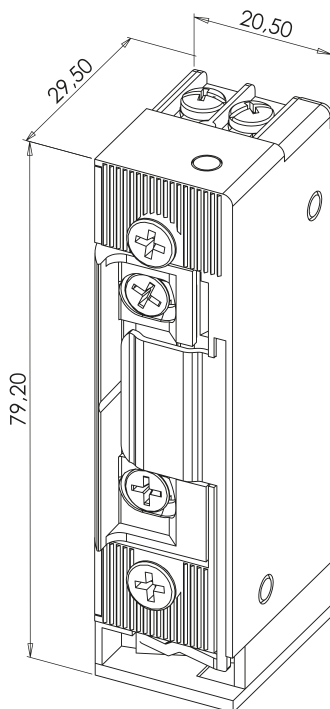


Fail safe – position contact

| Voltage | 12V DC | 24V DC |
|-------------|--------|--------|
| Consumption | 210 mA | 100 mA |

| TECHNICAL SPECIFICATIONS | | | |
|----------------------------------|--------------------------|-----------------------------------|-------------------------------------|
| Holding force* 350 daN | IP rating IP42 | Temperature -25 / +50°C | Electronic protection Yes |



| ITEM CODE | DESCRIPTION |
|--------------|--|
| SER3C | ROUREG Strike – fail safe – 12V DC – contact |
| SER3C/24 | ROUREG Strike – fail safe – 24V DC – contact |
| SER3C-203 | ROUREG Strike – fail safe – 12V DC – contact + faceplate |
| SER3C/24-203 | ROUREG Strike – fail safe – 24V DC – contact + faceplate |

*Maximum theoretical holding force for implementation respecting optimal installation conditions.